

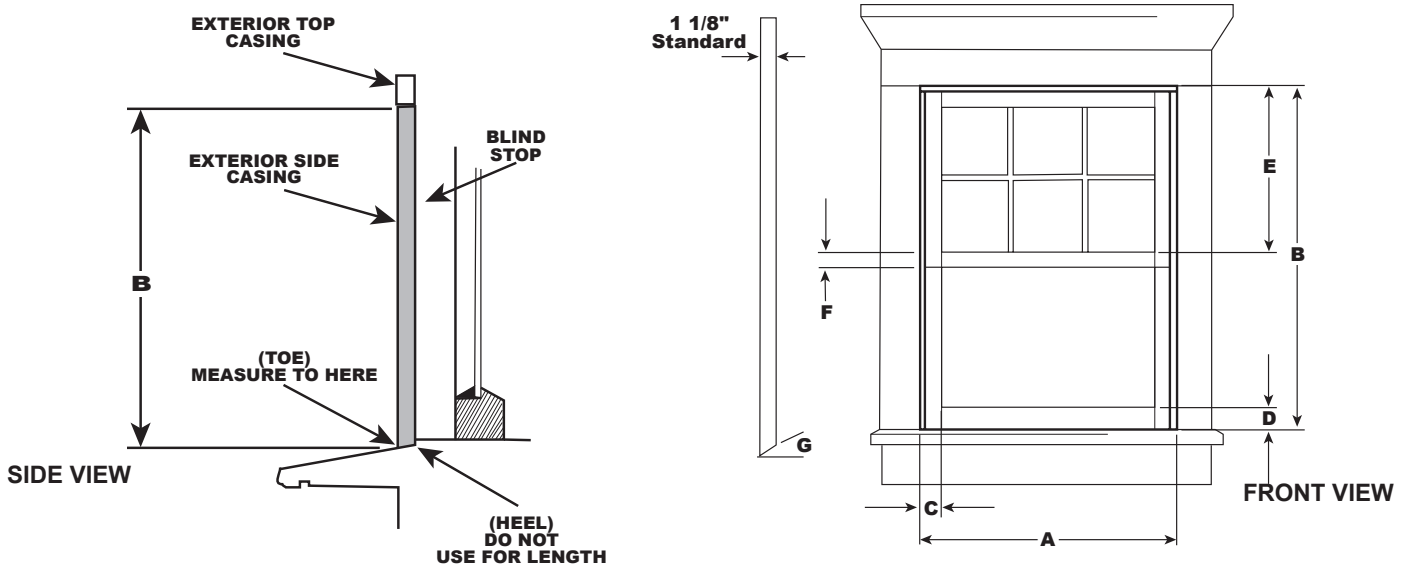


SPENCERWORKS™

Where tradition meets innovation.

MEASURING FORM

IMPORTANT: All Measurements of rails and stiles are made at the point where the galzing meets the glass.



Window #	Window Type	Location	*A width	*B height	C side rail width	D sill rail width	E casing to check rail	F check rail width	G sill angle
	<input type="checkbox"/> All-Season Storm <input type="checkbox"/> Traditional Storm <input type="checkbox"/> Traditional Screen								
	<input type="checkbox"/> All-Season Storm <input type="checkbox"/> Traditional Storm <input type="checkbox"/> Traditional Screen								
	<input type="checkbox"/> All-Season Storm <input type="checkbox"/> Traditional Storm <input type="checkbox"/> Traditional Screen								
	<input type="checkbox"/> All-Season Storm <input type="checkbox"/> Traditional Storm <input type="checkbox"/> Traditional Screen								
	<input type="checkbox"/> All-Season Storm <input type="checkbox"/> Traditional Storm <input type="checkbox"/> Traditional Screen								
	<input type="checkbox"/> All-Season Storm <input type="checkbox"/> Traditional Storm <input type="checkbox"/> Traditional Screen								
	<input type="checkbox"/> All-Season Storm <input type="checkbox"/> Traditional Storm <input type="checkbox"/> Traditional Screen								

* Overall window size minus 1/8" see Measuring Guide "How To Measure Your Window Opening".

Shipping Options, check all that apply
 Residential Business Hand Unload Terminal Pick-up Liftgate Needed

Screen Options, check one
 Charcoal Aluminum (N/C) Bronze

Paint Options, check one
 Primer Only (N/C) Custom Paint Brand _____
 Flat Satin Semi-Gloss Gloss Color Code _____

Track and Slider Frame, check one
 Anodized Bronze (N/C) Powder Coat White

Glass Options, check one
 Standard (N/C) Low E Hardcoat Single Pane

Hanger Finish, check one
 Zinc Plated Steel (CN/C) Powder Coat Black Stainless Steel Other

Contact Information

Name _____ Date _____

Address _____
street city state zip

Phone _____ Fax _____ E-Mail _____

Complete On-line or Fax, Mail or E-mail for cost proposal to: 716 South 4th Street • Lincoln, NE 68506
 Phone 402 499-7848 • Fax 402 474-4214 • E-mail info@spencerworks.com • www.spencerworks.com